



PRODUCTS CATALOG

ELECTRICAL ENCLOSURES & MODULAR CABINETS



20

exmweb.com

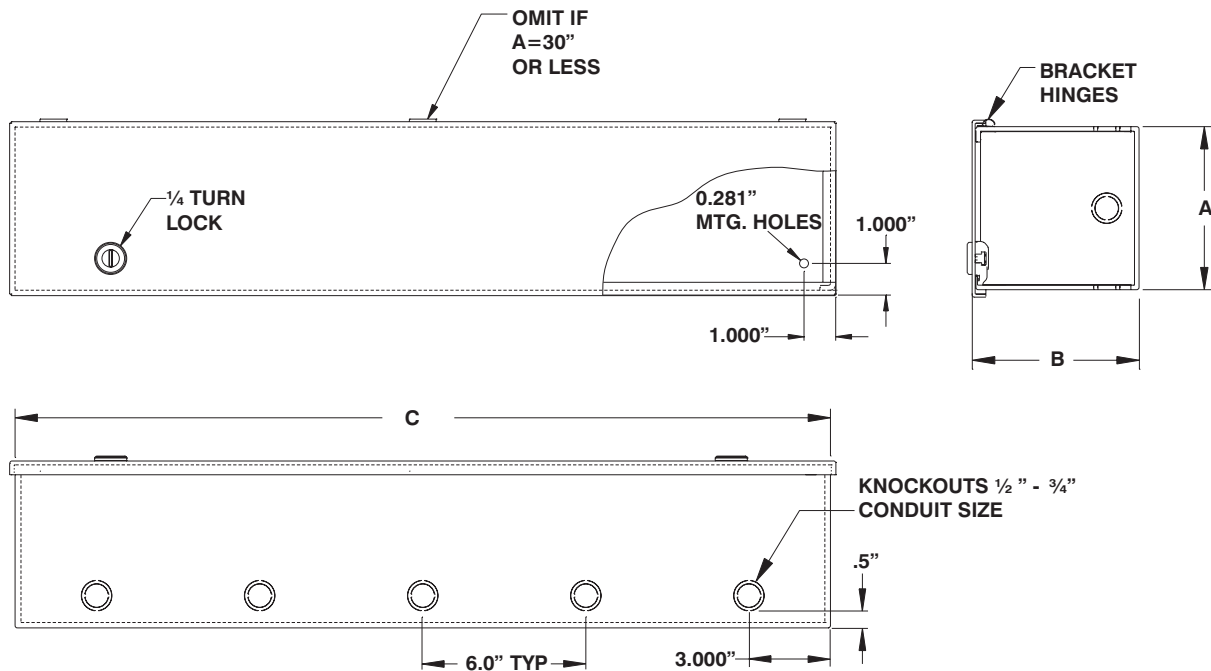
The 1100 WE are used as junction or pull boxes, and are suitable for surface mounting, where a hinged cover is required. Boxes and covers are made of high quality 14 GA or 16 GA steel. Four internal mounting holes, a bonding screw and attachments are provided. All four sides have con-

centric knockouts. These boxes are also available without knockouts (add suffix "N" to the catalog number). These troughs feature formed steel hinges and a ¼ turn lock. An optional key lock is available (880 SCQCOM-K). Enclosures are finished with ANSI/ASA 61 smooth gray heat

fused powder paint, electrostatically applied on a pretreated base (other colors available).

NEMA/EEMAC 1 / IP30

Refer to p.734 to validate choice of substrate for the application



| CATALOG NUMBER | DIMENSIONS | | | SHIP WGT LBS. | CATALOG NUMBER | DIMENSIONS | | | SHIP WGT LBS. |
|----------------|------------|---|----|---------------|----------------|------------|----|----|---------------|
| | A | B | C | | | A | B | C | |
| 1100 WE040412 | 4 | 4 | 12 | 5 | 1100 WE080848 | 8 | 8 | 48 | 30 |
| 1100 WE040418 | 4 | 4 | 18 | 6 | 1100 WE080860 | 8 | 8 | 60 | 36 |
| 1100 WE040424 | 4 | 4 | 24 | 8 | 1100 WE080872 | 8 | 8 | 72 | 43 |
| 1100 WE040436 | 4 | 4 | 36 | 12 | 1100 WE101024 | 10 | 10 | 24 | 21 |
| 1100 WE040448 | 4 | 4 | 48 | 15 | 1100 WE101036 | 10 | 10 | 36 | 29 |
| 1100 WE040460 | 4 | 4 | 60 | 19 | 1100 WE101048 | 10 | 10 | 48 | 37 |
| 1100 WE040472 | 4 | 4 | 72 | 23 | 1100 WE101060 | 10 | 10 | 60 | 45 |
| 1100 WE060612 | 6 | 6 | 12 | 7 | 1100 WE101072 | 10 | 10 | 72 | 53 |
| 1100 WE060618 | 6 | 6 | 18 | 10 | 1100 WE121224 | 12 | 12 | 24 | 25 |
| 1100 WE060624 | 6 | 6 | 24 | 12 | 1100 WE121236 | 12 | 12 | 36 | 35 |
| 1100 WE060636 | 6 | 6 | 36 | 17 | 1100 WE121248 | 12 | 12 | 48 | 45 |
| 1100 WE060648 | 6 | 6 | 48 | 22 | 1100 WE121260 | 12 | 12 | 60 | 55 |
| 1100 WE060660 | 6 | 6 | 60 | 27 | 1100 WE121272 | 12 | 12 | 72 | 64 |
| 1100 WE060672 | 6 | 6 | 72 | 33 | | | | | |
| 1100 WE080812 | 8 | 8 | 12 | 10 | | | | | |
| 1100 WE080818 | 8 | 8 | 18 | 13 | | | | | |
| 1100 WE080824 | 8 | 8 | 24 | 16 | | | | | |
| 1100 WE080836 | 8 | 8 | 36 | 23 | | | | | |

Note: Type WE troughs are also available without knockouts, as series 1100 WE...N. (ie: 1100 WE080872N)



p.498

p.498

p.498

p.498

p.540

p.534

